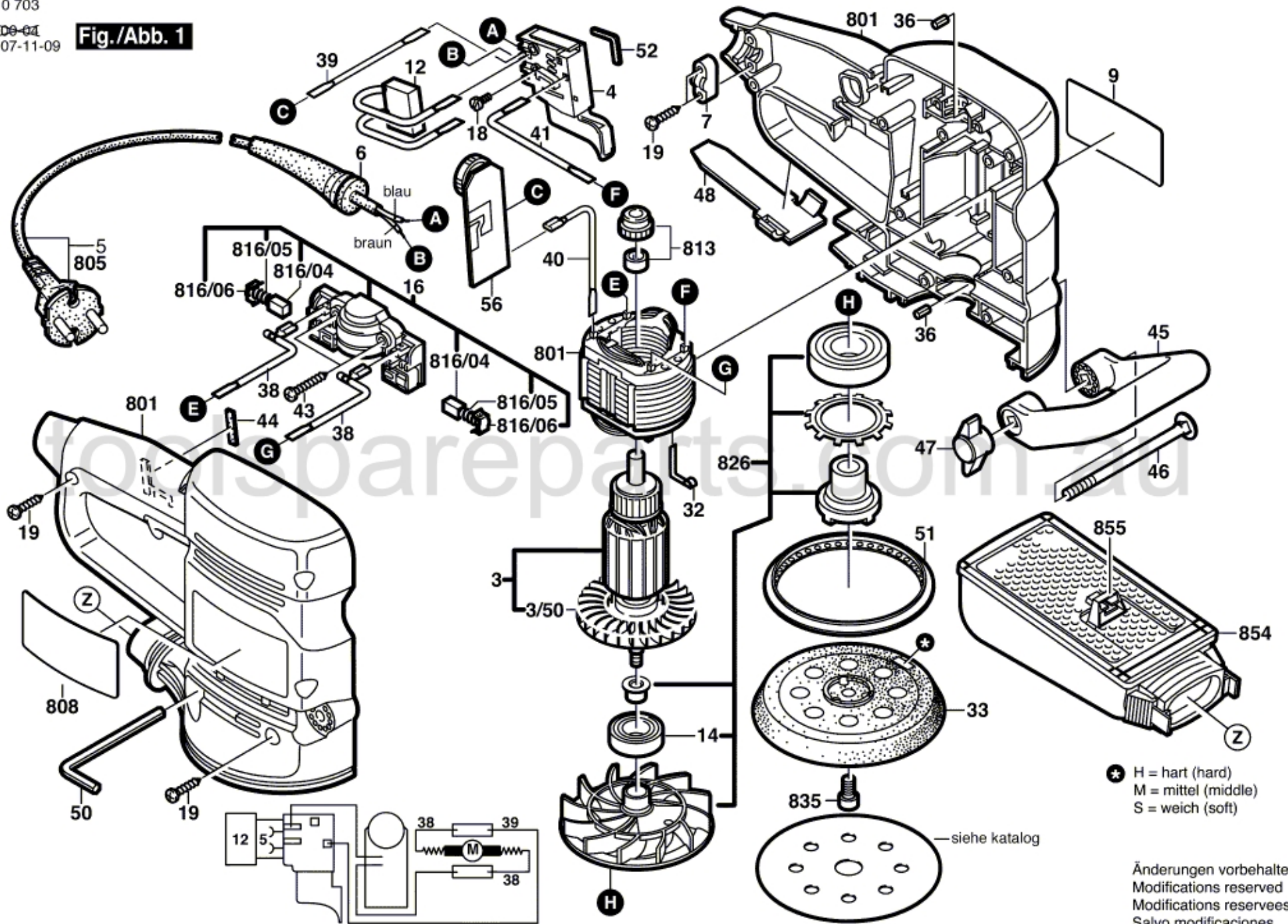


Fig./Abb. 1



* H = hart (hard)
M = mittel (middle)
S = weich (soft)

Änderungen vorbehalten
Modifications reserved
Modifications reserves
Salvo modificaciones